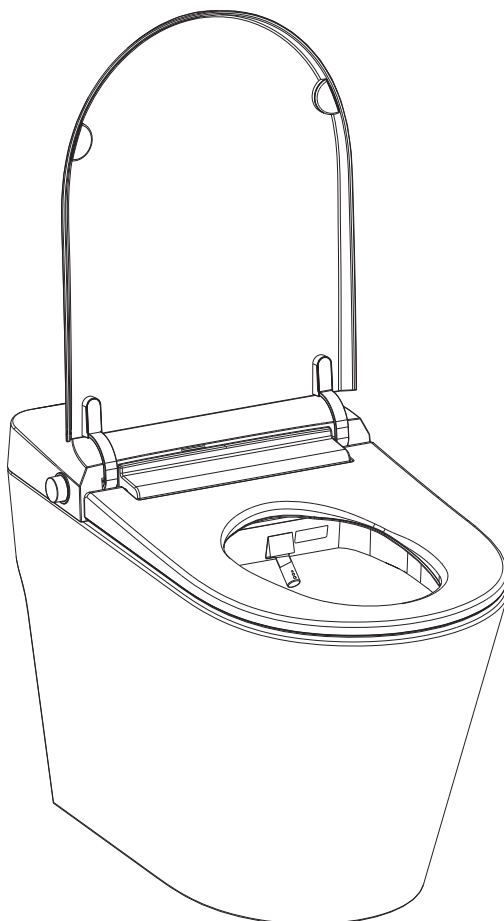




ITEM: TL-STFF950WH

ANZZI ECHO SMART TOILET & BIDET
INSTALLATION & OPERATION MANUAL

V1.2
07/02/2022



DON'T WAIT! REGISTER NOW!

Register your product within 90 days to ensure your product is recognized as an official purchase and is eligible for warranty coverage.

Mail in the completed registry card (Pg. 2) or register online at www.swcorp.com/register.



PRODUCT REGISTRATION*

IMPORTANT: YOUR WARRANTY WILL NOT BE RECOGNIZED UNLESS THIS CARD IS FULLY COMPLETED AND RETURNED OR ONLINE REGISTRATION IS COMPLETED.

To ensure that your warranty is registered and confirmed please do one of the following:

1. **Register online at www.swcorp.com/register.** You will be asked to fill out the same information you would in the registration card. Registering online is fast, secure and ensures we receive your information.
2. **Complete, cut out and mail the registration card below.** By returning this registration card we confirm the date of purchase for your new product. This confirmation will allow us to process any warranty claims.

Mail the card to: 5701 NW 35 Avenue, Miami, FL 33142



Product Registration Card

Name..... Address

City..... State..... Zip.....

Phone Email.....

Date of Purchase Order or Purchase #..... SKU or Model #

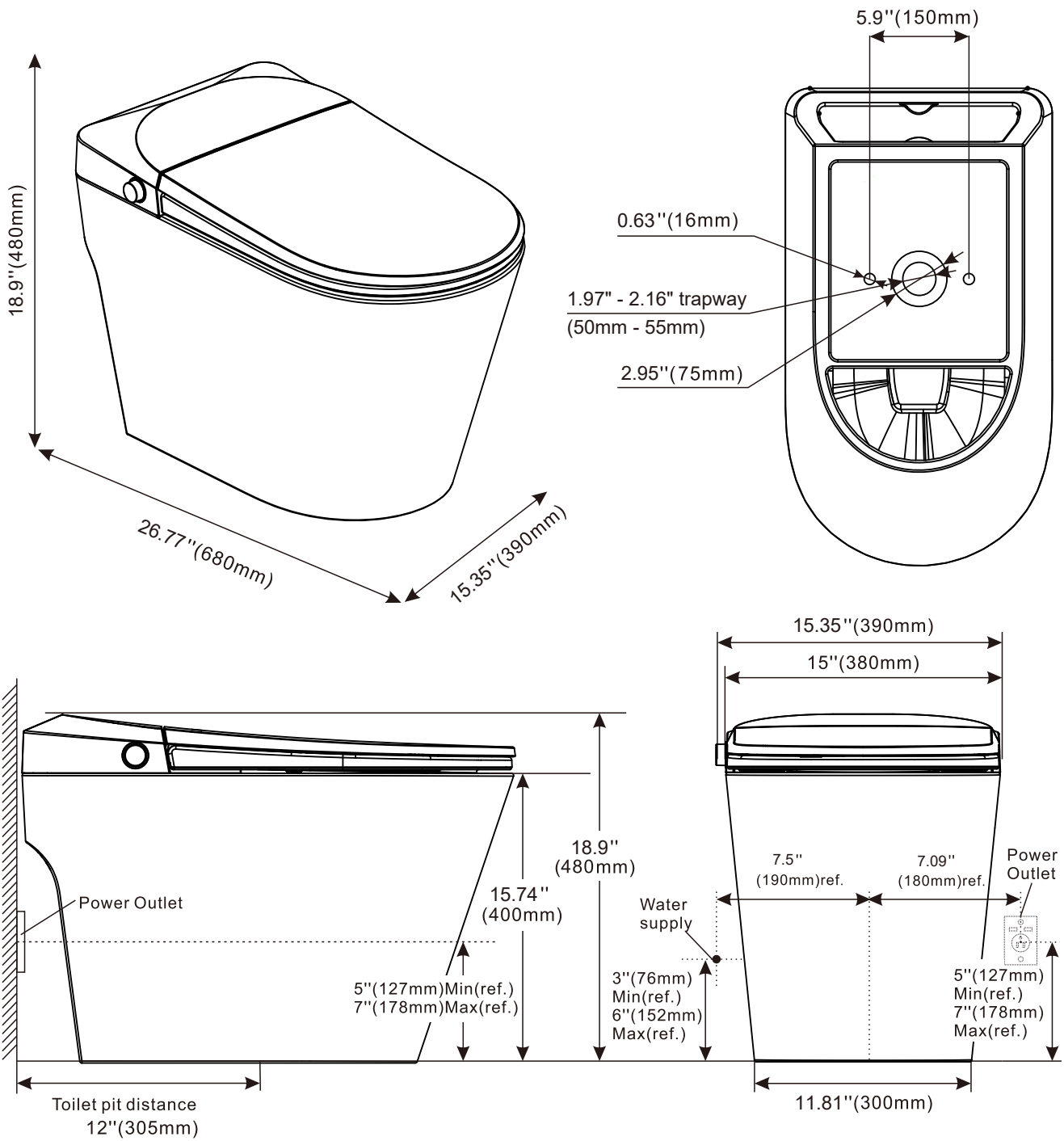
Installer's Name Phone

I have read the Owner's Manual carefully and understand and agree that any installation, operation or maintenance of the product must be done strictly in accordance with instructions and guidelines contained in the owner's manual and installation guide.

Signature..... Date.....

Need help? For technical support call 305-614-4070 or visit us at www.ANZZI.com

PRODUCT SIZE CHART



Thank you for choosing ENVO SMART TOILET. Please read and understand this entire manual before attempting to install, assemble or operate this product.

TABLE OF CONTENTS

SAFETY PRECAUTIONS	PG.1
TOILET COMPONENTS	PG.3
TOOLS AND MATERIALS	PG.3
TOILET INSTALLATION	PG.4
STEP1 INSTALL THE SUPPLY STOP AND CONFIRM THE WATER FLOW RATE.....	PG.4
STEP2 INSTALL THE TOILET	PG.5
STEP3 CONNECT THE WATER INLET PIPE	PG.6
STEP4 INSTALL THE RETAINING SEAT.....	PG.6
STEP5 BATTERY INSTALLATION OF REMOTE CONTROL	PG.7
STEP2(5b) BATTERY INSTALLATION OF TOILET SEAT-LID ASSEMBLY	PG.7
GUIDELINES FOR FIRST USE	PG.8
REMOTE CONTROL MATCHING	PG.9
OPERATION INSTRUCTIONS OF CONTROL DIAL.....	PG.9
REMOTE CONTROL KEY DESCRIPTION.....	PG.10
FOOT SENSORY FLUSHING FUNCTION	PG.12
UV STERILIZER FUNCTION	PG.12
BUZZER FUNCTION DESCRIPTION.....	PG.12
CLEANING & MAINTENANCE.....	PG.12
CLEANING OF TOILET BOWL.....	PG.12
NOZZLE CLEANING AND MAINTENANCE	PG.12
CLEAN THE FILTER SCREEN	PG.13
LONG-TERM PRESERVATION	PG.14
PRODUCT SPECIFICATIONS	PG.14
TROUBLE SHOOTING	PG.15

SAFETY PRECAUTIONS

Please carefully read the safety precautions before installation. This is important and must be observed.

DANGER

Only connect to a Ground-Fault Circuit-Interrupter(GFCI) protected grounded socket. Do not remove the ground pin or use a ground adapter.

Otherwise, electric shock will be caused by fault or short circuit.

WARNING

- Any modification to your ENVO Smart Toilet will lead to warranty failure. If cables, plugs or other components need to be repaired or replaced, they need to be handled by qualified electricians.
- Any replacement shall be provided by ANZZI. The use of a third-party replacement will invalidate the warranty.
- Cut off the power supply before maintenance.
- Ensure that the bathroom is well ventilated to avoid moisture accumulation. Installing the smart toilet in a humid place may cause electrical failure of the product.
- In any case, the socket shall be installed at a position greater than 19-11/16"(500mm) from the bathtub.
- Do not touch the power socket with wet hands, **Otherwise it may cause electric shock.**
- Do not pour water, hot water or detergent onto the top of the toilet, power supply or plug.
- Make sure the toilet is away from flames or combustibles.
- Do not put your fingers or anything at the outlet of the heater, **Otherwise it may cause burns or electric shock.**
- UV lamp emits light that can cause injury to skin or eyes. Avoid exposure to unshielded working UV lamp.
- Do not excessively pull or bend the cable. If there is any damage to the cable or plug, cut off the power supply. Use the cable provided by ANZZI for replacement.
- Do not bend or squeeze the water inlet hose hard, **Otherwise it may lead to water leakage or reduce the water inlet pressure.**
- When power failure occurs during flushing and the nozzle is not reset, do not push it back by hand. The nozzle will reset itself after the power supply is restored.
- If your ENVO Smart Toilet has the following problems, please stop using it. Turn off power supply and supply stop.
 - Pipe,hose or product leaks.
 - Product breakage.
 - The product has abnormal sound or peculiar smell.
 - Smoke from the product.
 - UV lamp lights on when nozzle being used.
- Strong magnets inside, if the body is equipped with a pacemaker and other auxiliary medical equipment, please do not use.

SAFETY PRECAUTIONS



ATTENTION

● If you do not fully understand the grounding instructions or are not sure whether the product has been correctly grounded, please find a qualified electrician or sales and service personnel to check and confirm. Please find a qualified electrician to confirm that the power supply provides the matching voltage and power required by the product.

● Review all local plumbing and building codes related to products.

● Ensure that the water pressure of the water supply is 20PSI(138kPa)-80PSI(552kPa).

● The water supply pipe must be at least 1/2" copper pipe to provide the minimum flow required for the normal operation of the product.

● Carefully check the new toilet for damage.

● Use the water inlet hose and supply stop attached to the product. The old installed hose and supply stop do not match this product.

● If the new toilet is not installed at once, please make sure the toilet sewage outlet on the floor is blocked.

● Do not stand on the toilet seat, toilet lid, toilet ceramic body, or place any heavy objects on your ENVO Smart Toilet. **Otherwise, it may be damaged and cause personal injury or soak the floor.**

● Don't expose the toilet to the sun. The product may turn yellow or fade.

● Do not throw anything other than toilet paper into the toilet, otherwise it will cause blockage or flooding.

● Don't lean against the toilet lid.

● When children, the old or disabled people use this toilet, they need to pay close attention. Adjust the appropriate toilet seat temperature for the people mentioned above, as well as the people having allergic skin.

● Do not use this toilet when you are sleepy.

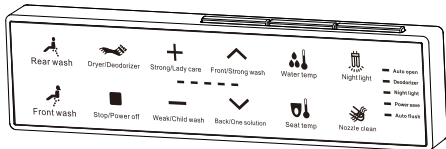
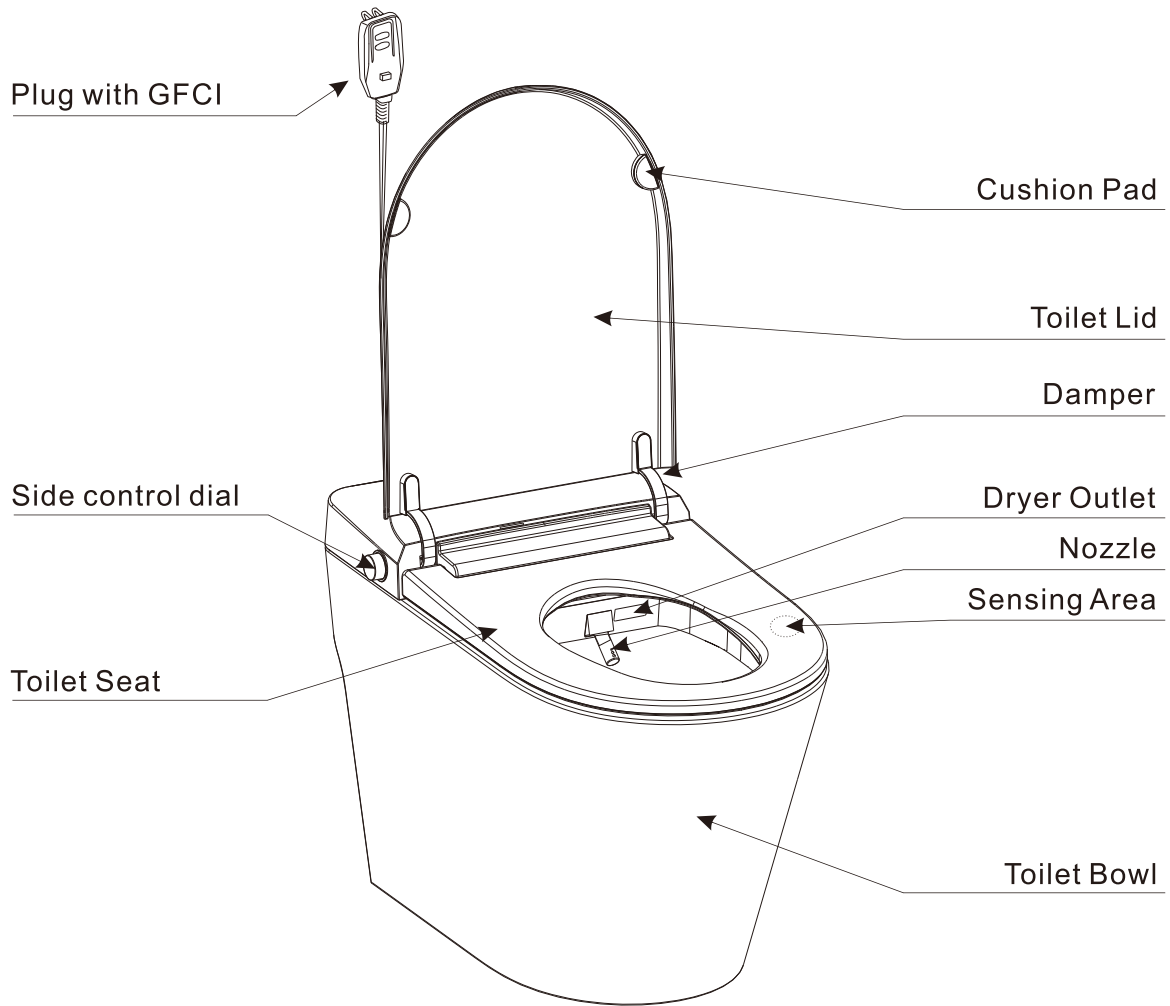
● The toilet requires fresh water only.

● Clean this product with a clean soft cloth. Do not use any irritating detergent to clean this product.

● Any replacement of parts must only be performed by qualified service personnel.

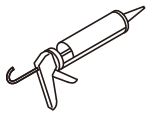
Statement: ENVO does not assume any responsibility for the losses caused by the improper installation and behavior listed above or other improper operations.

TOILET COMPONENTS



Remote Control

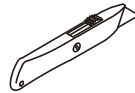
TOOLS AND MATERIALS



Caulk Gun & Caulk



Sealant Tape



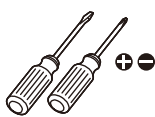
Utility Knife



Marker Pen



Wrench



Screwdriver



Tape Measure



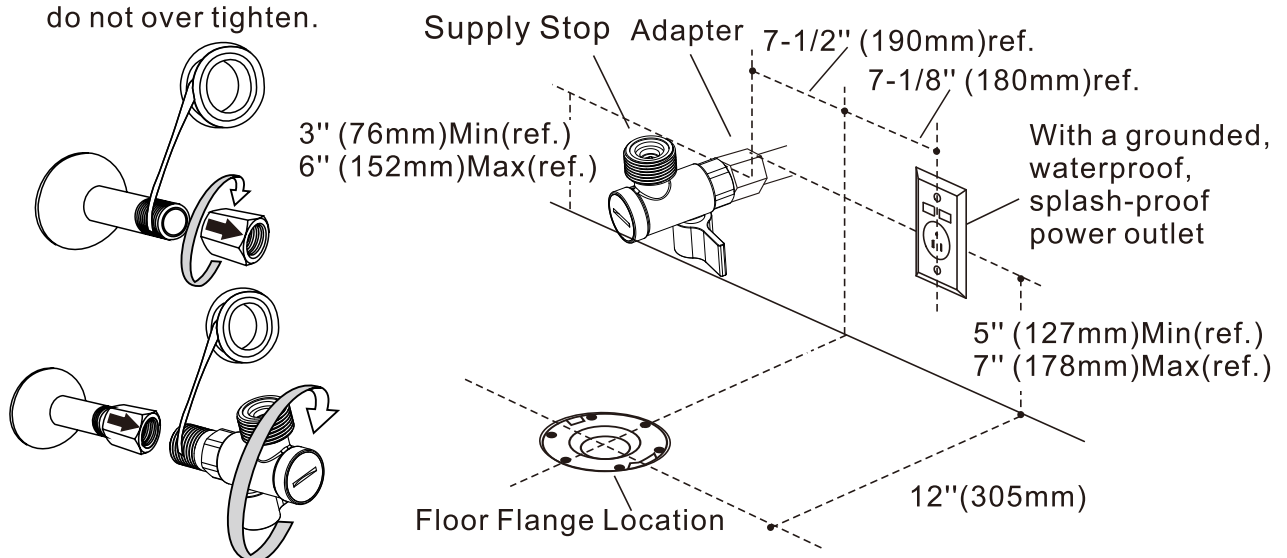
Measuring cup

TOILET INSTALLATION

STEP 1 | INSTALL THE SUPPLY STOP AND CONFIRM THE WATER FLOW RATE

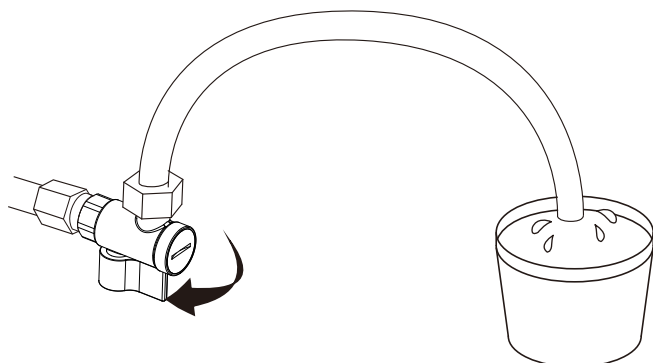
SUPPLY STOP INSTALLATION

1. Turn on the old supply stop and flush for 1 minute, to flush out any sundries that may damage the toilet structure.
2. Turn off the supply stop and remove it.
3. Wrap sealing tape on the end (1/2" NPT male) thread of the water supply pipe (not provided) to ensure good sealing performance. Screw the adapter onto the water supply pipe, ensuring that the direction of the adapter arrow is as shown in the figure.
4. Use Teflon tape to ensure good sealing performance. Make sure start wrapping at the end of the fitting, covering the end to prevent the thread from seizing. For the joint assembly, you should tighten the threaded joint 1-2 turns beyond finger tight, be careful do not over tighten.



CONFIRM WATER FLOW

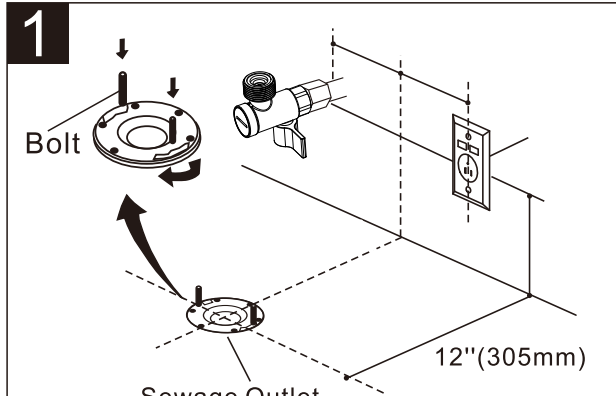
1. Install a matching hose, which is guided to a bucket of 3 gallons (11.4L) or more. If you cannot find a matching hose, you can use a cloth to cover the outlet of the supply stop and place the bucket under the valve.
2. Turn on the supply stop. Ensure that the water can outflow at least 1 gallon within 10 seconds.
3. If the water pressure is too low. Please use a booster pump to increase the water pressure or call the service for further instruction.
4. Close the supply stop.
5. Remove the installed hose.



STEP 2 | INSTALL THE TOILET

Note: If the distance between the sewage outlet and the wall surface is less than 12" (305mm), the toilet lid may touch the wall surface when opened.

1



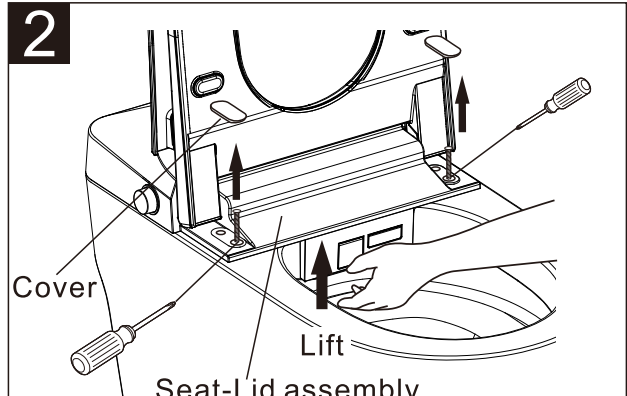
Bolt

Sewage Outlet

12" (305mm)

For new installations, toilet flanges need to be installed.
Install flange bolts.

2



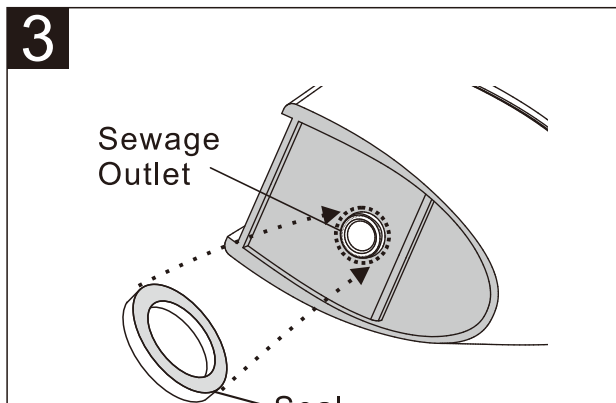
Cover

Seat-Lid assembly

Lift

Take out the covers, unscrew the long screws and lift the toilet seat-lid assembly from the toilet.

3

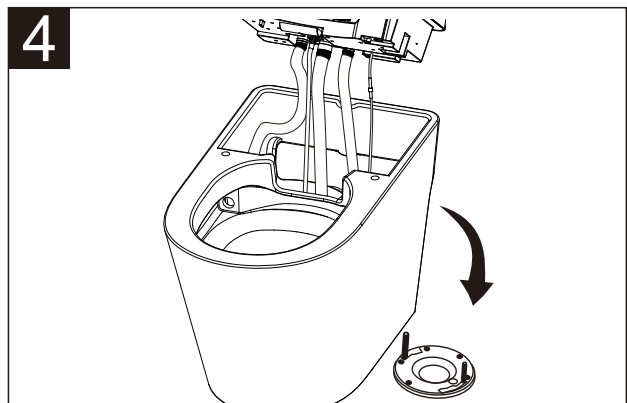


Sewage Outlet

Seal

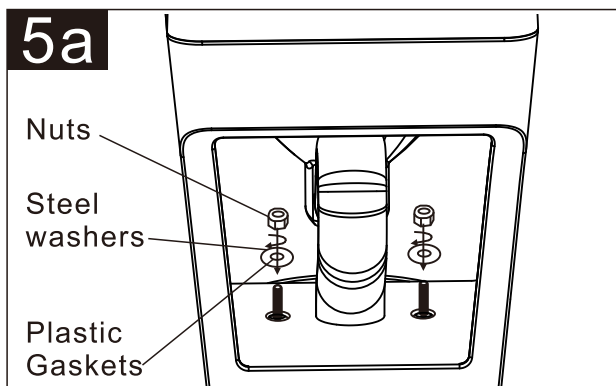
Install a sealing ring under the toilet.

4



Install the toilet to the flange and ensure that the bolts are aligned with the holes in the toilet.

5a



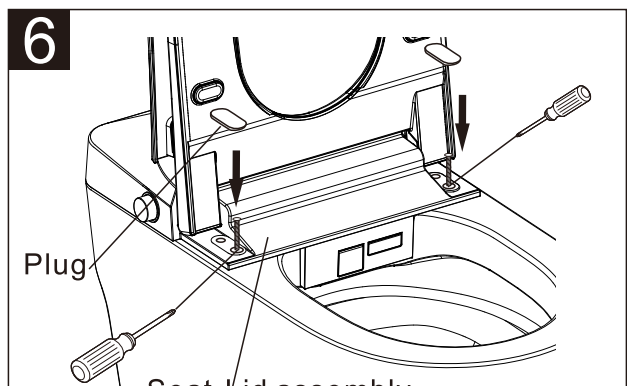
Nuts

Steel washers

Plastic Gaskets

Use a wrench to lock nuts and other accessories to the fixing bolts.
Note: See PG.7 STEP 2(5b) for the SEAT-LID assembly battery installation.

6



Plug

Seat-Lid assembly

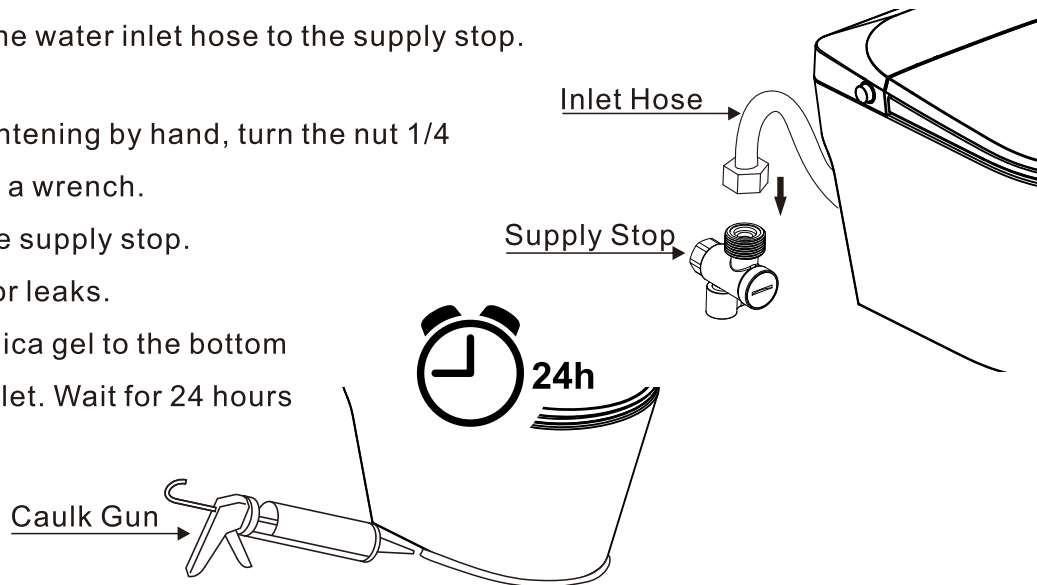
Reinstall the toilet seat-lid assembly, screws and covers to complete the toilet installation.

STEP 3 | CONNECT THE WATER INLET PIPE

Connect the water inlet hose to the supply stop.

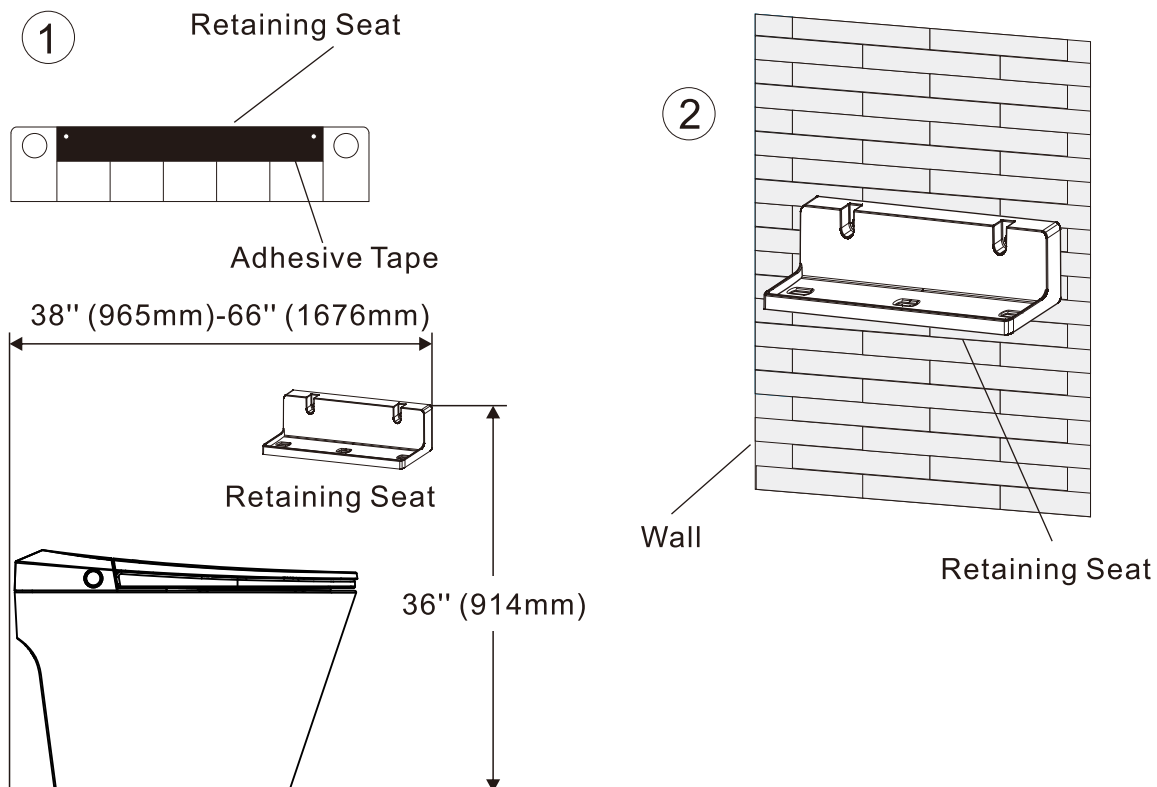
Note:

1. After tightening by hand, turn the nut 1/4 turn with a wrench.
2. Open the supply stop.
3. Check for leaks.
4. Apply silica gel to the bottom of the toilet. Wait for 24 hours to dry.



STEP 4 | INSTALL THE RETAINING SEAT

The following picture shows the installation method.



Select the smooth and even position of the remote control retaining seat. Tear off one side of the double-sided adhesive tape and stick it on the back of the retaining seat.

Tear off the other side of the double-sided adhesive tape and stick it on the wall.

Note: Clean installation position before pasting. Uniform force is applied when sticking adhesive tape. Use after 15 minutes of fixation.

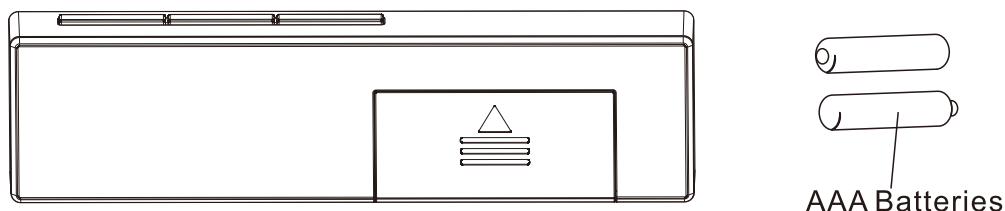
STEP 5 | BATTERY INSTALLATION OF REMOTE CONTROL

Install two new AAA batteries (not included) to the remote control.

The battery box is on the back of the remote controller. Push the lid down to open the battery box and install.

Note:

- Clean the battery and battery box contact before installing the battery.
- If the battery is dead or the product is not used for a long time, please remove the battery.
- Don't mix old and new batteries.
- Do not mix alkaline, standard (carbon zinc) or rechargeable (nickel cadmium, nickel manganese) batteries.
- Don't throw used batteries into the garbage can, please throw them into your local battery collection center.

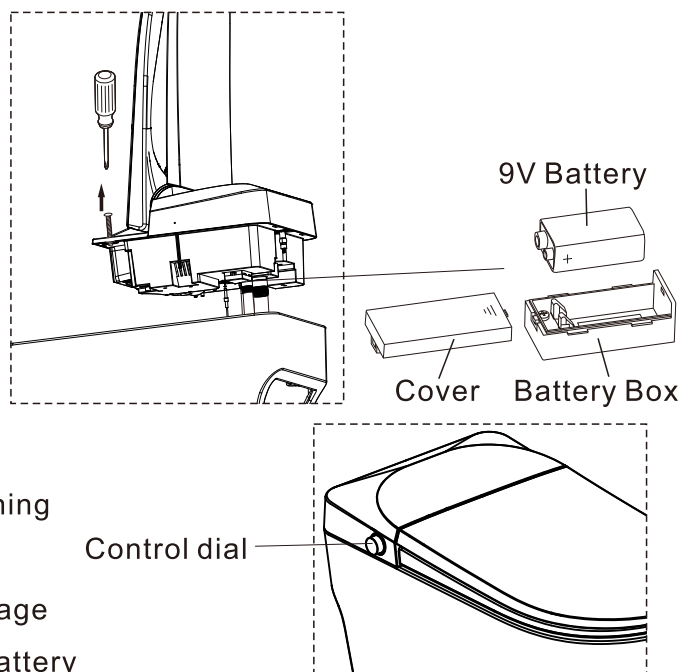


STEP 2(5b) | BATTERY INSTALLATION OF TOILET SEAT-LID ASSEMBLY

1. Carefully remove the cover of the battery case.
2. Connect and install the battery and slide the cover back to the battery box.
3. Press the control dial on the side to confirm that flushing can be normal.

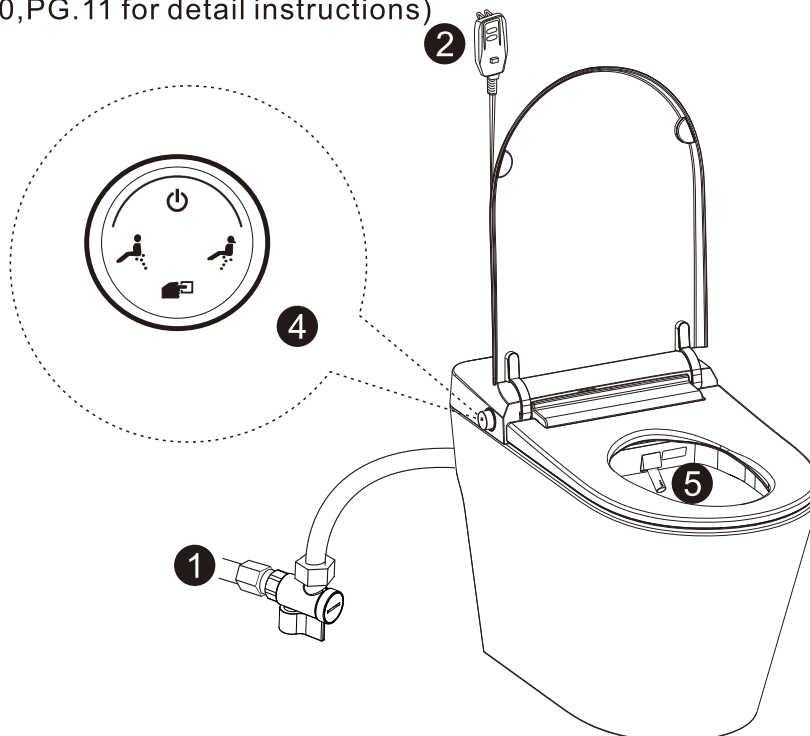
Note:

- Use 9V alkaline battery(not included).
- This battery is used to maintain the flushing function in the event of power failure.
- Don't throw used batteries into the garbage can, please throw them into your local battery collection center.



GUIDELINES FOR FIRST USE





- 1 Open supply stop and check for leaks if any leaking.
- 2 Make sure the plug is plugged into the socket and the light on.
Press "TEST" button: The light of the plug should be off.
Press "RESET" button: The light of the plug should be on.
Don't use if "TEST & RESET" fails.
- 3 When the toilet is powered on, the nozzle extends and reverts, then water will flow out to flush the nozzle and the night light flashed. It beeps during the initialization.
Initialization will complete in 25 sec.
- 4 If the toilet doesn't work after powered on, press the control dial on the side to start the toilet.
- 5 After the user sits on the seat, a small amount of water will flow out to pre-wet the inner surface of the ceramic body.
- 6 Your ENVO smart toilet has dual-flush function. Full-flush is for solid waste. Reduced-flush is for liquid waste mainly. Full-flush function can be activated by remote control and control dial. Reduced-flush can be activated by control dial and foot sense. (See PG.9, PG.10, PG.11 for detail instructions)




**THE TOILET'S FEATURES WILL NOT
WORK UNLESS YOU'RE SITTING
ON THE SEAT!**

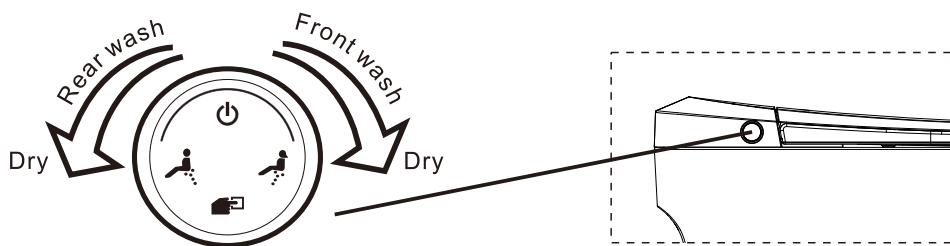
REMOTE CONTROL MATCHING





Using two or more ENVO Smart Toilets in the same house may cause mutual interference. You need to matching for the remote control by the following steps.

1. Press the "TEST" key of the plug to close all smart toilets.
2. Press the  and  key of the remote control at the same time until the lights  continues to flash.
3. Press the "Reset" key on one plug within 5 seconds to start one of the smart toilets.
4. When the lights  stop flashing, the match is completed.
5. If the match is successful. You should be able to use the matching remote control to control the matching toilet.


















Note: If the remote control can't match within 10 seconds, the lights  on the remote control will stop flashing.

OPERATION INSTRUCTIONS OF CONTROL DIAL




1. When the power supply is connected, turn on the toilet by rotating forward or backward or pressing the control dial. The light of the control dial shows flashing light pink.
2. When the user isn't sitting on the toilet seat, the auto cleaning function will not work.
3. Press the  key of the remote control , then press  or  to set the warm air temperature when the control dial is operated, and press  to preset the water temperature when the control dial is operated.
4. When the user is sitting on the toilet seat, turn the control dial forward to start front washing. The rinsing will last for 1 minute (the control dial light is pink) and then warm air drying for 2 minutes (the control dial light is red). If turning the control dial forward during washing, the washing will stop and warm air will blow out for drying.
5. When the user is sitting on the toilet seat, turn the control dial backward to start rear washing. The rinsing will last for 1 minute (the control dial light is blue) and then warm air drying for 2 minutes (the control dial light is red). If turning the control dial backward during washing, the washing will stop and warm air will blow out for drying.
6. Pressing the control dial during front/rear washing or warm air blowing will stop the toilet from working and enter the standby mode. The control dial light is light pink.
7. In standby mode, press the control dial to flush, and the control dial light is light red.
8. Pressing the control dial twice in a row will start the water saving mode (reduce flushing).
9. Pressing the control dial for 3 seconds to turn off the toilet.

REMOTE CONTROL KEY DESCRIPTION


 Rear wash	 Dryer/Deodorizer	 Strong/Lady care	 Front/Strong wash	 Water temp	 Night light	 Auto open  Deodorizer  Night light  Power save  Auto flush
 Front wash	 Stop/Power off	 Weak/Child wash	 Back/One solution	 Seat temp	 Nozzle clean	

Open/Set Close/Power save Flush/Auto flush



This function only works when the user is sitting on the toilet seat. Press this key to extend the nozzle and rinse the buttocks. Press the key again to start swinging cleaning. The first light on the left of  flashes. Press the key for the third time to switch back to rear washing. The rinsing stopped after 2 minutes.



This function only works when the user is sitting on the toilet seat. Press this key to extend the nozzle and rinse the front position. Press the key again to start swinging cleaning. The first light on the left of  flashes. Press the key for the third time to switch back to bidet washing. The rinsing stopped after 2 minutes.



This function only works when the user is sitting on the toilet seat. Press this key to start warm air drying. The drying stopped after 4 minutes. Press for 3 seconds to start deodorization. The deodorization light on the remote control lights up. Press again for 3 seconds to close.
 Note: Deodorization stops working when the hot air drying is on, it starts again when hot drying is off. Deodorization will continue to work for 1.5 minutes after the user leaves the seat.



Press this key will stop cleaning or drying before the automatic stopping.



Press this key to provide 4 cleaning pressure selection during flushing and 4 drying temperature selection during drying.



Press this key during rinsing to provide 5 cleaning position choices.
 Note: When the swinging cleaning function is on, the nozzle position cannot be adjusted.



This function only works when the user is sitting on the toilet seat. In standby mode, press this key to extend the nozzle and wash. The water temperature is 102.2°F (39°C). The water pressure is set to level 2. The cleaning position can be adjusted, and the temperature and water pressure cannot be adjusted. Cleaning will stop within 2 minutes or stop by pressing the "Stop" key before the end of the countdown.


Child wash

This function only works when the user is sitting on the toilet seat. In standby mode, press this key to extend the nozzle and wash. The water temperature is 96.8°F (36°C). The water pressure is set to level 1. Cleaning position, temperature and water pressure cannot be adjusted. Cleaning will stop within 30 seconds or stop by pressing the "Stop" key before the end of the countdown.



Strong wash


This function only works when the user is sitting on the toilet seat. In standby mode, press this key to extend the nozzle and wash. The water pressure is set to the maximum value. The cleaning position and the temperature can be adjusted. Cleaning will stop within 2 minutes or stop by pressing the "Stop" key before the end of the countdown.



One solution

This function only works when the user is sitting on the toilet seat. In standby mode, press this key to start. Cleaning sequence: rear washing for 40 seconds-swing cleaning for 20 seconds- warm air drying for 2 minutes-stop. Or press the Stop key to terminate before the end of the countdown.


Water temp

Pressing this key will set 4 water temperature for the cleaning. 4 settings: off (normal temperature)/low/medium/high. The more lights  on, the higher the temperature.


Seat temp

Pressing this key will set the 4 temperature for the seat heating. 4 settings: off (normal temperature)/low/medium/high. The more lights  on, the higher the temperature.


Night light

Press this key to turn on or off the light. The "Night light" light on the remote control will turn on or off synchronously.


Nozzle clean

This function only works when the user leaves the toilet seat. Press this key, the nozzle extends out, its surface is washed by water automatically. You can use a brush to clean the nozzle. Press the "Stop" key to retract the nozzle. Note: Before starting bidet washing or rear washing, the nozzle extends out and its surface is washed by water automatically.

Open/Set

Pressing this button to open-up the seat when the seat is closed. Long press 3 sec to turn on the automatic seat function. The Auto open indicator of the remote control lights up. The seat is automatically opened when the person is close to the toilet. The seat is automatically closed after a person has left for 2 min. Note: Automatic opening or closing of the seat is valid only after opening the automatic seat function; The sensor only detects the movement of the human body, and when standing still for a long time, it may cause abnormal movement. During the electric opening and closing process, do not forcibly close or sway, causing malfunction.

Close/
Power save

When the seat is open, pressing this button to soft close the seat; Long press 3 sec to start power saving mode. Press another 3 sec to close it. After person left of 1.5 min, enter power saving mode. In the power saving state, the seat temperature is kept at 77°F (25°C), and the next time is to automatically restore the settings before the power saving.

Flush/
Auto flush

Press this key to flush the toilet once. Press for 3 seconds to start automatic flushing. The automatic flushing light on the remote control on. Rinse automatically 5 seconds after leaving the seat. Press the key again for 3 seconds to turn off the automatic flushing function.

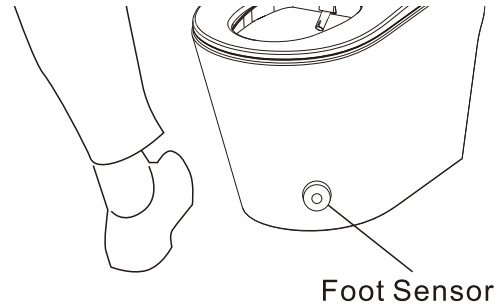
Note: In the automatic flushing mode, when the user sits on the seat and flushes the toilet by pressing the control dial or this key of the remote control, the toilet will not flush again after the user leaves the seat.

FOOT SENSORY FLUSHING FUNCTION

If the lid and seat close, foot passes the sensor, the lid opens. Foot passes the sensor again, the seat opens. Foot passes the sensor once again, both lid and seat close and the toilet flushes.

Note: When seated, the sensor will not activate.

The flush of the foot sensor operation is a small flush.



UV STERILIZER FUNCTION

When the human body leaves the seat for 15 seconds, the UV sterilizer is automatically activated and sterilizes the washer nozzle for 3 minutes. Every 4 hours it works once automatically. The night light flashes for 3 seconds when the UV sterilization starts.

During the operation of UV sterilizer, it is forbidden to look directly, otherwise it will cause permanent damage to the eyes.

BUZZER FUNCTION DESCRIPTION

Buzz once: seated, all functions available.

Three or more rings: product failure.

Note: The buzzer only rings when operating the remote control, side control dial or initialization.

CLEANING AND MAINTENANCE

CLEANING OF TOILET BOWL

Unplug the toilet.

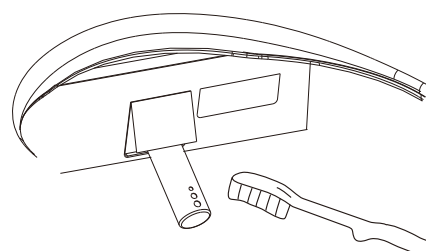
Wipe the outer surface of the toilet with a wet cloth.

Note: Dirt should be treated as soon as possible.

NOZZLE CLEANING AND MAINTENANCE

Press the "Nozzle Cleaning" key, the nozzle will protrude and start flushing. You can use a brush to clean.

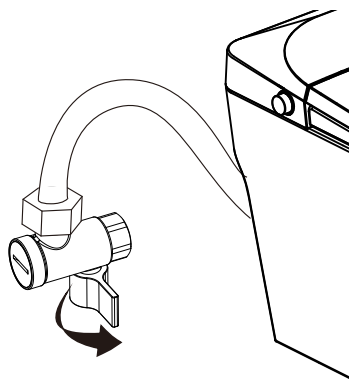
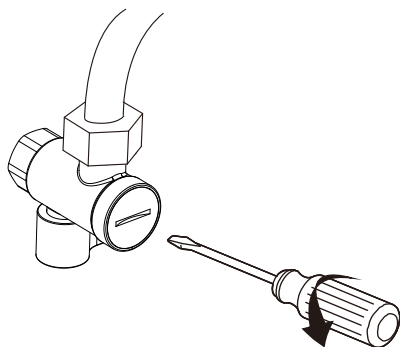
Note: Do not use a steel brush for cleaning.



CLEAN THE FILTER SCREEN

When the water pressure is too low to operate the toilet normally, please clean the filter screen.

STEP 1 | CLOSE THE SUPPLY STOP



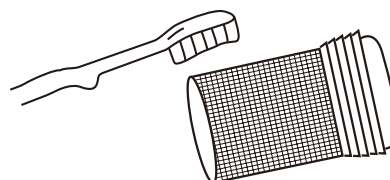
STEP 2 | REMOVE THE FILTER SCREEN

Unscrew the screen cover with a screwdriver and remove the screen as follows.

STEP 3 | CLEAN THE FILTER SCREEN

Note: Do not use any detergent. Clean with fresh water only.

Do not squeeze the filter screen during cleaning to avoid deformation of the filter screen.



STEP 4 | REINSTALL THE FILTER SCREEN AND OPEN THE SUPPLY STOP

Reinstall the filter screen in the order of which it was removed.

Note: After opening the supply stop, check if any leakage of all parts.

WARNING

- ANZZI is not responsible for any damage caused by the use of detergents containing chlorine (calcium hypochlorite).
- Always unplug before cleaning.

ATTENTION

- Always TEST your detergent in an inconspicuous area before applying it to the entire product surface.
- Wipe and rinse the surface with water immediately after applying detergent. Rinse and dry the excessive spraying on surfaces.
- Do not soak the surface with detergent.
- Use a soft, wet sponge or cloth. Do not clean the surface with abrasive materials, such as brushes or scouring pads.

LONG-TERM PRESERVATION

When you leave for a long time and not using this toilet, such as on business or travel:

1. Close the supply stop. Press the control dial to drain out the cavity.
2. Unplug the smart toilet and take out the backup battery.

PRODUCT SPECIFICATIONS

Ambient temp range		39.2°F-104°F(4°C-40°C)
Inlet water temp range		41°F-95°F(5°C-35°C)
Rated voltage		AC120V 50-60Hz
Specific features		Human sensor(rader sensor) Toilet cover auto open/close Remote open /close toilet lid and seat Foot sensor (1.Open lid/seat 2.Flush)
Rated power		1200W(Inlet water temp:59°F±32.9°F(15°C±0.5°C))
Power cord length		33.4"(0.85m)
Cleansing device	Water pressure range	20PSI(138kPa)(dynamic)-80PSI(552kPa)(static)
	Water pressure adjustment	Adjustable in 4 pressures
	Water temp adjustment	4 Levels
	Safety device	Temp sensor control system、Dry burning-resistant protection device、over temp protection system、water and electricity isolation system
	Rear wash	Adjustable pressure
	Front wash	Adjustable pressure
	Strong wash	1 pressure
Seat heating device	Seat temp control	4 Levels
	Seat protective system	Temperature sensing control system/ fuse
Warm air dryer	Warm air temperature	4 Levels
	Safety device	Temperature reset switch/fuse
Deodorizer		Catalyst deodorant box
Remote control		YES



**THE TOILET'S FEATURES WILL NOT
WORK UNLESS YOU'RE SITTING
ON THE SEAT!**

TROUBLE SHOOTING

SYMPTOMS	POSSIBLE CAUSES	RECOMMENDED ACTIONS
No power	The plug and the socket aren't fully connected.	Plug the plug into the socket.
	The GFCI of plug or socket is triggered and needs to be reset.	Reset GFCI.
No water flows out during flushing or small water flow	Low water supply pipe pressure.	Pressurize with a water pump.
	The inlet filter screen is blocked.	Clean the filter screen according to the instructions. See PG.13
	The inlet pipe connecting the supply stop to the toilet is kinked.	Adjust hose.
	The water is cut off.	Waiting for the restoration of water supply.
	Supply stop closed.	Open the supply stop.
Outlet water from nozzle is abnormal	Product is abnormal.	Unplug the plug for 1 minute and reconnect it.
Seat isn't warm	Incorrect seat temperature setting or product in power saving mode.	Adjust to the desired temperature.
Nozzle dripping	Solenoid valve failure.	Please contact a professional for repair.
Cleaning function cannot be used normally	Solenoid valve failure.	Please contact a professional for repair.
Drying air is not warm	Drying temperature off.	Try adjusting with the remote control.
	Drying heater is damaged.	Please contact a professional for repair.
Loose seat and cover plate	Screw looseness.	Tighten the screws.
There is no response when the key of the remote control is pressed	The remote controller batteries are drained.	Replace the batteries according to the guidelines.
	Dysfunction.	Re-match the remote control. If the problem persists, please call ENVO and replace the remote control.
Water leakage	Loose joints or broken parts.	Confirm the cause and deal with it.
The toilet doesn't flush properly	Malfunction of flushing valve.	Please contact a professional for repair.
Can't the toilet flush clean	Low water pressure or blockage.	Check the water output and remove the blockage according to the instruction PG.4

ENVO 
by ANZZI